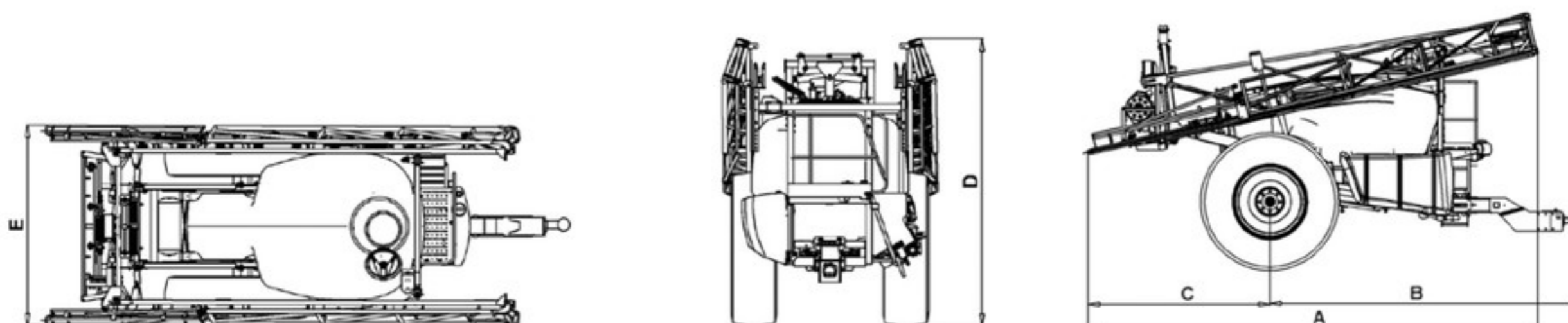


SPECIFICATIONS

	R732i	R740i
Nominal tank volume, l	3,200	4,000
Actual tank volume, l	3,360	4,200
Rinse tank, l	400	400
Hand wash tank, l	20	20
ISOBUS (9 pole Deutsch Connector)	Base	Base
Sprayer Control with multi functional lever (Joystick)	Optional	Optional
PowrSpray™ Hydraulically driven sprayer pumps 2"	Base	Base
Spray pressure min - max, bar	1 - 8	1 - 8
Inductor hopper capacity, l	55	55
Centrifugal filling pump capacity, 600 l/min	Base	Base
Ground Clearance under axle, cm ¹	65 - 75	65 - 75
Polyurethane double linked Axle Suspension	Base	Base
Track width availability, cm	150 - 225	150 - 225
Clothing locker	Base	Base
Proportional drawbar steering upper or lower linkage	Option	Option
Hydraulic System Oil Filter	Base	Base
Working lights (halogen or LED)	Option	Option
SOLUTION COMMAND SYSTEM		
Electrically operated valves ² controlled by keypad on operator station or by display in the cab	Base	Base
Free programmable automatic tank filling system with integrated non-return check valve preventing backflow	Base	Base
Digital tank level sensor with detailed readout in display	Base	Base
Automatic agitation intensity and on/off control based on tank level (free programmable)	Base	Base
Overfill protection when filling by sprayer pumps	Base	Base
Spray rate control by pressure and flow sensor	Base	Base
Multi-cycle residue management system (Auto Dilute) standard with following modes Boom rinse, system rinse, Automatic stepwise Dilution, Continuous dilution and rinse cycles	Base	Base
Cross flow check (detects nozzle wear, spray line blockage or wrong programmed nozzle sizes)	Base	Base
Low Flow Detection automatic spray rate sensor selection if flow is out of measurement range of the flow sensor, pressure sensor takes command	Base	Base
Spray gun at chemical inductor hopper	Base	Base
Operator station light (LED)	Option	Option
WEIGHTS³		
Total weight empty, kg	3,650	3,700
Total weight full, kg	7,250	8,100
TYRE SIZES⁴		
Tyres mounted on fully welded rims (10 bolts), factory choice tyres are mounted	Available	Available
270/95R48	Available	Available
300/95R46	Available	Available
340/85R48	Available	Available
420/85R38	Available	Available
480/70R38	Available	Available
520/70R38	Available	Available

SPRAY BOOM AND HYDRAULICS	R700i
Boom height range, cm ¹	48 - 224
Spray boom material	Steel
Ball and socket bearings in swivel points with grease points	Base
Stainless steel spray lines with quick connect couplings	Base
3 directional boom breakaway protection	Base
Z-bar parallelogram, hydraulic height adjustment with a nitrogen pressure accumulator suspension and hydraulic transport lock	Base
Centre frame with vertical and horizontal boom suspension and pendulum lock (anti yaw)	Base
Centre frame with independent vertical and horizontal boom suspension and pendulum lock (push rod anti yaw system)	Option
Boom suspension kit for spraying hilly fields	Option
Electro hydraulic control including hydraulic oil filter for spray boom, folding, height and tilt with auto centre function and boom positioning indicator in display actual or preset position, and optional steering axle	Base
Tractor hydraulic system requirements	Load Sense hydraulics
Hydraulic flow requirements depend always on the selected options. Indication on minimum tractor hydraulic oil flow requirements with full options, l/min	110
Pressure circulation spray system, chemicals are always circulated right up to the nozzles	Base
Section Control ready	Base
Individual Nozzle Control	Option

SPRAY BOOM R700i SERIES			MEASUREMENTS (CM) ⁵				
DOUBLE FOLD BOOMS	No. OF SECTION	SECTION WIDTHS, m	A	B	C	D	E
18 / 12 m	6	3-3-3-3-3-3	555	258	198	324	255
20 / 12 m	6	4-4-4-4-4-4	555	258	198	324	255
21 / 12 m	7	3-3-3-3-3-3-3	555	258	198	324	255
24 / 12 m	8	3-3-3-3-3-3-3-3	610	258	246	324	255
27 / 14 m	6	4.5-4.5-4.5-4.5-4.5-4.5	646	258	246	350-400	255
27 / 14 m	9	3-3-3-3-3-3-3-3-3	646	258	246	350-400	255
28 / 14 m	7	4-4-4-4-4-4-4	696	258	246	350-400	255
28 / 14 m	8	3-4-4-3-3-4-4-3	696	258	246	350-400	255
TRIPLE FOLD BOOMS	No. OF SECTION	SECTION WIDTHS, m					
24 / 18 m	8	3-3-3-3-3-3-3-3	456	258	198	318	300
27 / 18 m	7	4.5-4.5-3-3-3-4.5-4.5	456	258	298	318	300
27 / 21 m	9	3-3-3-3-3-3-3-3-3	550	258	292	318	300
28 / 20 m	7	4-4-4-4-4-4-4	510	258	243	318	300
30 / 21 m	10	3-3-3-3-3-3-3-3-3-3	550	258	292	318	300



¹ Depending on tyres fitted and boom.

² Emergency control valve possible.

³ All weights are approximate with base equipment and 24/12 m boom.

⁴ Selectable tire size is depending on machine type and axle load.

⁵ All measurements are approximate with tyres 270/95R48. Overall machine height depends on boom adjustment.

