

## BALE & PALLET



## FROM BALES TO BOXES . . .

**Bale and Pallet trailers are mounted on 8 or 10 mm RHS chassis with heavy-duty axles on tandem springs.**

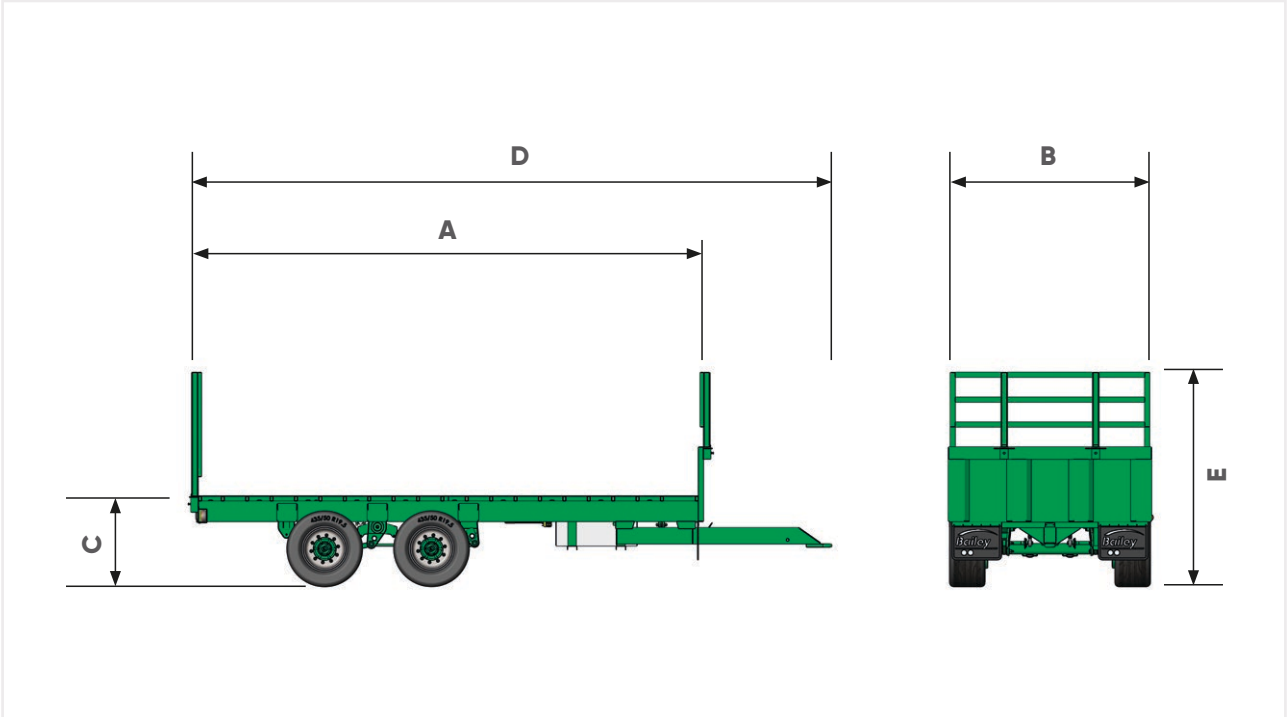
All models are 2500 mm/8'2" overall width and fitted with a 4.5 mm chequer plate floor with 60 x 40 RHS floor runners at 300 mm centres. Bale trailers have heavy-duty 8 mm side rails and a 600 mm high headboard for safe and secure loading of pallets, bags and boxes. Features include: hydraulic working platform to aid filling of potato boxes; Box Pusher and Rollover Sheet for safe transportation of load.

### Standard features

Independent hydraulic brakes, parking brakes, strap points, heavy-duty EN8 towing eye, skid & skid carrier, hydraulic hose carrier, front steps, LED lights & beacon, number plate holder and toolbox. Chequer plate floor fitted as standard; state if flat floor required.







| Model             | FLAT 6          | FLAT 8       | FLAT 10 | FLAT 12      | FLAT 14 | FLAT 16     | FLAT 18     | FLAT 20      |       |
|-------------------|-----------------|--------------|---------|--------------|---------|-------------|-------------|--------------|-------|
| <b>Dimensions</b> |                 |              |         |              |         |             |             |              |       |
| Body length       | <b>A mm</b>     | 5700         | 6600    | 7500         | 8400    | 9300        | 10200       | 11100        | 12000 |
| Body width        | <b>B mm</b>     | 2500         | 2500    | 2500         | 2500    | 2500        | 2500        | 2500         | 2500  |
| Loading height    | <b>C mm</b>     | 1020         | 1070    | 1220         | 1220    | 1220        | 1220        | 1270         | 1070  |
| Overall length    | <b>D mm</b>     | 7200         | 8100    | 9000         | 9900    | 10800       | 11700       | 12600        | 13500 |
| Overall height    | <b>E mm</b>     | 2540         | 2590    | 2720         | 2720    | 2720        | 2720        | 2770         | 2770  |
| <b>Misc.</b>      |                 |              |         |              |         |             |             |              |       |
| Number of axles   |                 | 1            |         |              | 2       |             |             |              | 4     |
| Axle beam         | <b>mm/studs</b> | 1x70/6       |         | 2x90/8       |         | 2xcom/10    |             | 4xcom/10     |       |
| Brake size        |                 | 300x60       |         | 350x90       |         | 420x180     |             |              |       |
| Brake option      |                 | H            |         |              |         | H/A         |             |              |       |
| Tyre size         |                 | 12.5/80x15.3 |         | 385/65 R22.5 |         |             |             | 435/50 R19.5 |       |
| Bottom chassis    |                 | 200x100 RHS  |         | 250x100 RHS  |         | 250x150 RHS | 300x150 RHS |              |       |

**BAILEY TRAILERS LIMITED**

Pride Parkway, Sleaford, Lincolnshire NG34 8GL

 +44 (0) 1529 303411 
  sales@baileytrailers.co.uk 
  baileytrailers.co.uk