

BEAVERTAIL LOW LOADER



SAFE AND SECURE . . .

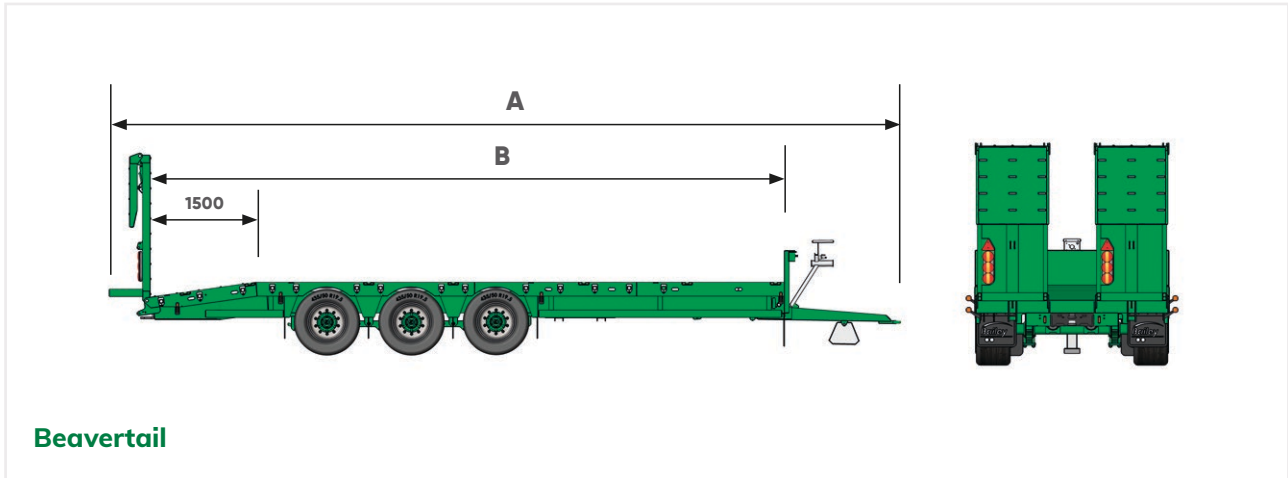
Beavertail Low Loaders are available in 12, 15 & 20 tonnes and are mounted on a tandem or tri-axle springs.

Features include: hydraulic 900 mm wide loading ramps, 38 mm hardwood planed floor, fully road legal lights, heavy-duty axles and wheels are standard. All models are 2500 mm overall width, and a deck height of 900 mm with addition of outriggers if required.

Standard features

Independent hydraulic brakes, parking brakes, strap points, heavy-duty EN8 towing eye, skid & skid carrier, hardwood floor, lashing rings in the floor, commercial axles, hydraulic loading ramps, toolbox, LED lights, number plate holder, beacon, 215/75x17.5 twins, 1500 mm Beavertail, rear mudguard and flaps.





Model	Length mm	Body length B mm	Body width mm	Number of axles	Axle beam mm/studs	Brake size	Brake option	Tyre size	Chassis
LOW 12 B/T	5500 + 1500 Beavertail	7000	2500	2	2x90/8	300x135	H/A	215x75 Twins	250x100
	6500 + 1500 Beavertail	8000	2500						
LOW 15 B/T	5500 + 1500 Beavertail	7000	2500	2	2xcom/10	310x190	H/A	215x75 Twins	300x150 RHS
	6500 + 1500 Beavertail	8000	2500						
	7500 + 1500 Beavertail	9000	2500						
	8500 + 1500 Beavertail	10,000	2500						
LOW 20 B/T	6500 + 1500 Beavertail	8000	2500	3	3xcom/10	310x190	H/A	215x75 Twins	300x150 RHS
	7500 + 1500 Beavertail	9000	2500						
	8500 + 1500 Beavertail	10,000	2500						
	9500 + 1500 Beavertail	11,000	2500						
	10500 + 1500 Beavertail	12,000	2500						

BAILEY TRAILERS LIMITED

Pride Parkway, Sleaford, Lincolnshire NG34 8GL

+44 (0) 1529 303411 sales@baileytrailers.co.uk baileytrailers.co.uk