

# SPEARHEAD

SNIPER HD

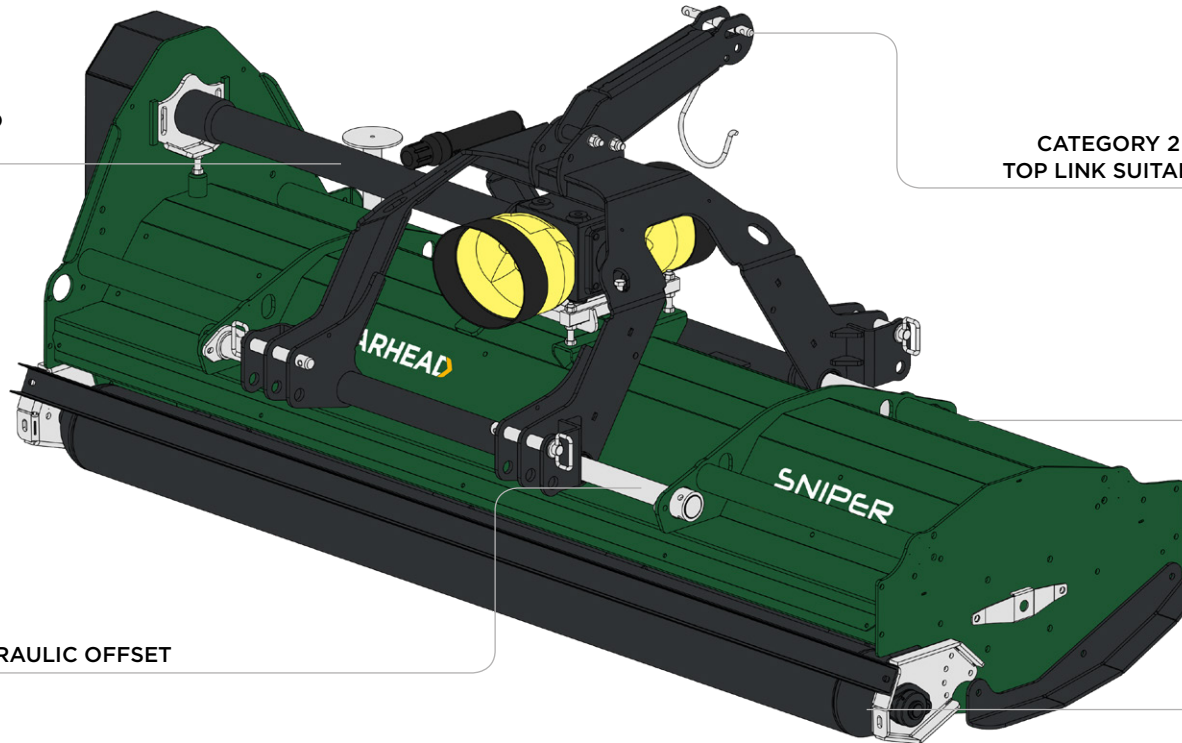




# SNIPER HD FEATURES

HEAVY DUTY GEARBOX WITH INTEGRATED ENCLOSED CONNECTING SHAFT

CATEGORY 2 HEADSTOCK WITH FLOATING CLEVIS TOP LINK SUITABLE FOR FRONT OR REAR MOUNTING



FULLY WELDED CONSTRUCTION




400MM HYDRAULIC OFFSET

REAR ROLLER HEIGHT ADJUSTMENT

- SNIPER 240-HD**
- SNIPER 260-HD**
- SNIPER 280-HD**
- SNIPER 300-HD**

TRACTOR HP	PTO SPEED	TRANSPORT WIDTH	3 POINT LINKAGE MOUNTING	CUTTING WIDTH	FLAIL TYPE	NO. OF FLAILS	CUTTING HEIGHT
80hp (60kW)	540/1000rpm	2.62m (8' 7")	✓	2.40m (7' 10")	Heavy-duty hammer flail	32	10mm - 35mm (0.4" - 1.4")
90hp (67kW)	540/1000rpm	2.82m (9' 3")	✓	2.60m (8' 6")	Heavy-duty hammer flail	32	10mm - 35mm (0.4" - 1.4")
90hp (67kW)	540/1000rpm	3.00m (9' 10")	✓	2.80m (9' 2")	Heavy-duty hammer flail	36	10mm - 35mm (0.4" - 1.4")
100hp (75kW)	540/1000rpm	3.19m (10' 6")	✓	3.00m (9' 10")	Heavy-duty hammer flail	40	10mm - 35mm (0.4" - 1.4")

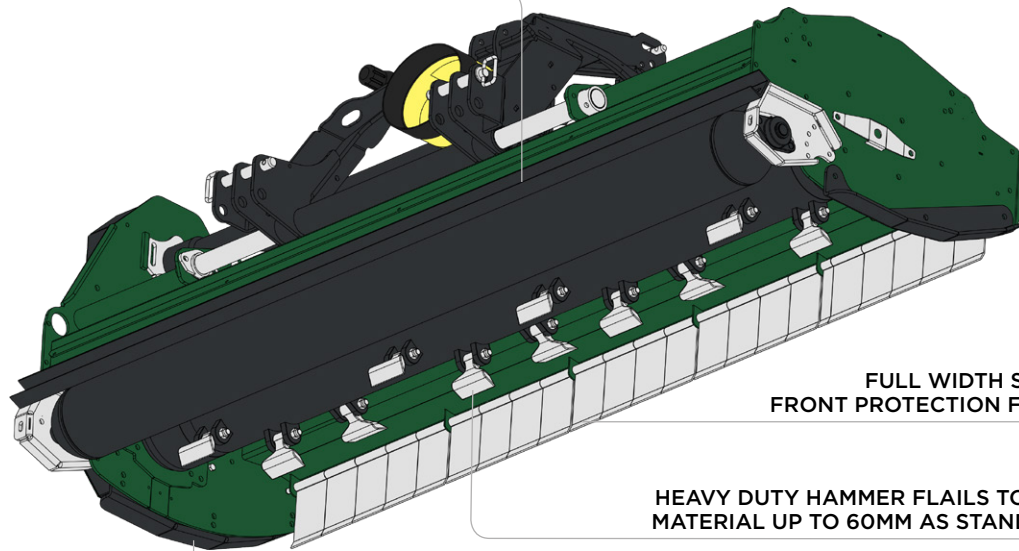
## UNIT OPTIONS

-   
 FRONT & REAR WHEELS (NO REAR ROLLER)
-   
 BACK TO BACK FLAILS
-   
 REAR RUBBER FLAP

# MULTI-TERRAIN, HEAVY DUTY FLAIL

-  AGRICULTURE
-  PASTURE
-  AMENITY
-  LIGHT SCRUB
-  WATERWAYS
-  HIGHWAYS

194MM FULL WIDTH REAR ROLLER



FULL WIDTH STEEL FRONT PROTECTION FLAPS

HEAVY DUTY HAMMER FLAILS TO CUT MATERIAL UP TO 60MM AS STANDARD

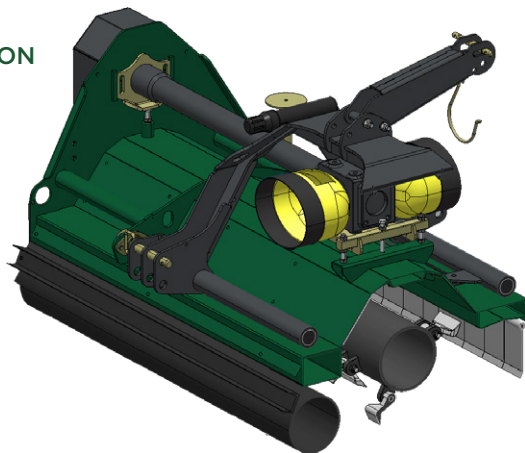
REPLACEABLE BOLT-ON SKIDS

The Sniper HD flail mower is designed for agricultural and municipal use giving a high quality and consistent cut in material up to 60mm. It is the perfect choice for intense farmers and professional operators such as contractors and local authorities.

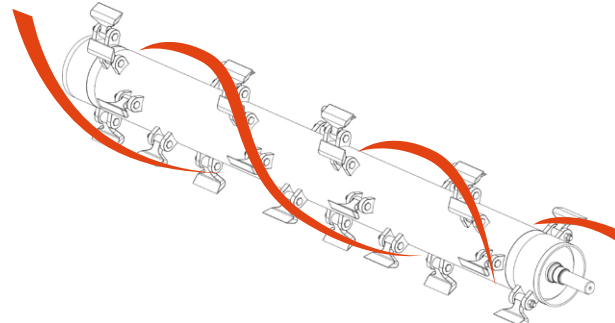
This robust machine features heavy duty hammer flails fitted in a double helical pattern on an electronically balanced rotor mounted on enclosed, self-aligning bearings. Belt drive gives reliable power transmission and a 194mm full width self-cleaning rear roller with scraper and rubber flap will ensure a quality cut and well distributed finish.

The Sniper HD range is available in a choice of working widths between 2.4 and 3.0 metres with operating flexibility offered by a 400mm hydraulic side shift that allows work around trees and other obstructions. The machine can also be front or rear mounted thanks to a reversible headstock.

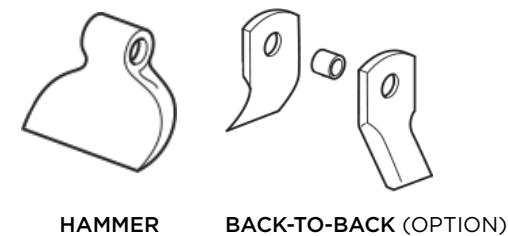
## CONSTRUCTION



## ROTOR DESIGN



## FLAIL OPTIONS



HAMMER

BACK-TO-BACK (OPTION)

STANDARD SPECIFICATION	SNIPER 240-HD	SNIPER 260-HD	SNIPER 280-HD	SNIPER 300-HD
Machine weight	905kg (1995lbs)	935kg (2061lbs)	990kg (2183lbs)	1025kg (2260lbs)
Hitch	Cat 2 with floating clevis top link	Cat 2 with floating clevis top link	Cat 2 with floating clevis top link	Cat 2 with floating clevis top link
Hitch position	Front and rear mount	Front and rear mount	Front and rear mount	Front and rear mount
Cutting width	2.40m (7' 10")	2.60m (8' 6")	2.80m (9' 2")	3.00m (9' 10")
Overall width	2.62m (8' 7")	2.82m (9' 3")	3.00m (9' 10")	3.19m (10' 6")
Overall length	1.15m (3' 9")	1.15m (3' 9")	1.15m (3' 9")	1.15m (3' 9")
Cowl height	540mm (1' 10")	540mm (1' 10")	540mm (1' 10")	540mm (1' 10")
Cutting height	10mm - 35mm (0.4" - 1.4")	10mm - 35mm (0.4" - 1.4")	10mm - 35mm (0.4" - 1.4")	10mm - 35mm (0.4" - 1.4")
Cutting capacity	60mm (2.4")	60mm (2.4")	60mm (2.4")	60mm (2.4")
Maximum offset distance (hydraulic)	400mm (1' 4")	400mm (1' 4")	400mm (1' 4")	400mm (1' 4")
Recommended tractor HP	80 - 180hp (60 - 135kW)	90 - 180hp (67 - 135kW)	90 - 180hp (67 - 135kW)	100 - 180hp (75 - 135kW)
Power take-off speed	540/1000rpm	540/1000rpm	540/1000rpm	540/1000rpm
Gearbox	Cast iron housing with integrated enclosed connecting shaft	Cast iron housing with integrated enclosed connecting shaft	Cast iron housing with integrated enclosed connecting shaft	Cast iron housing with integrated enclosed connecting shaft
Input shaft	1-3/8" Z6	1-3/8" Z6	1-3/8" Z6	1-3/8" Z6
Gearbox lubricant	EP80-90W or GL-4 / GL-5 oil	EP80-90W or GL-4 / GL-5 oil	EP80-90W or GL-4 / GL-5 oil	EP80-90W or GL-4 / GL-5 oil
Gearbox oil capacity	1.5 litres (2.6 pints)	1.5 litres (2.6 pints)	1.5 litres (2.6 pints)	1.5 litres (2.6 pints)
Cowl construction	All welded construction	All welded construction	All welded construction	All welded construction
Skid construction	Replaceable bolt-on skid	Replaceable bolt-on skid	Replaceable bolt-on skid	Replaceable bolt-on skid
Flail	Heavy-duty hammer flail	Heavy-duty hammer flail	Heavy-duty hammer flail	Heavy-duty hammer flail
Flail quantity	32	32	36	40
Flail tip speed	54m/s (10629 fpm)	54m/s (10629 fpm)	54m/s (10629 fpm)	54m/s (10629 fpm)
Rotor diameter	219mm (8.6")	219mm (8.6")	219mm (8.6")	219mm (8.6")
Roller diameter	194mm (7.6")	194mm (7.6")	194mm (7.6")	194mm (7.6")
Number of belts	5	6	6	6

# SPEARHEAD

📍 Station Road, Salford Priors, Evesham, Worcestershire, WR11 8SW, England 📞 +44 (0)1789 491860

✉️ enquiries@spearheadmachinery.com 📧 spearheadmachinery.com 🌐 SpearheadWorld



Spearhead  
is a member of the

