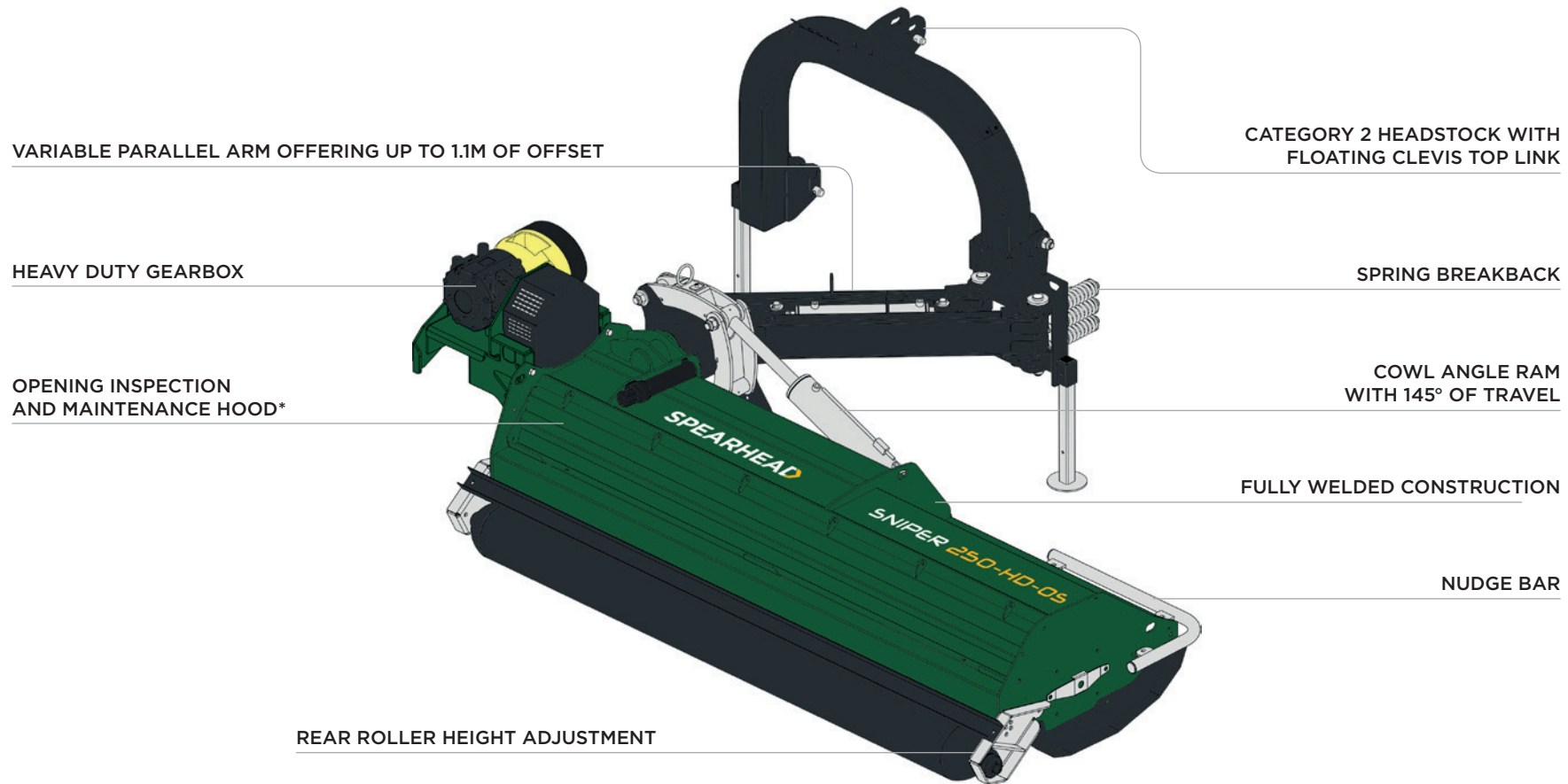


# SPEARHEAD

SNIPER HD OFFSET



# SNIPER HD OFFSET FEATURES



- SNIPER 230-HD-05
- SNIPER 250-HD-05

TRACTOR HP	PTO SPEED	TRANSPORT WIDTH	3 POINT LINKAGE MOUNTING	CUTTING WIDTH	FLAIL TYPE	NO. OF FLAILS	CUTTING HEIGHT
130hp (97kW)	540/1000rpm	1.61m (5' 4")	✓	2.30m (7' 6")	Heavy-duty hammer flail	20	25mm - 45mm (1" - 1.8")
140hp (104kW)	540/1000rpm	1.61m (5' 4")	✓	2.50m (8' 2")	Heavy-duty hammer flail	22	25mm - 45mm (1" - 1.8")

## UNIT OPTIONS

 BACK TO BACK FLAILS

\*For inspection purposes only and not to be opened whilst working. Spearhead Machinery claims no responsibility for accident or incident arising from the opening of the inspection area whilst the machine is in operation.

# HEAVY DUTY PERFORMANCE FOR CONTOURED TERRAIN



AGRICULTURE



PASTURE



AMENITY



LIGHT SCRUB



HEAVY SCRUB



AIRFIELD



WATERWAYS



HIGHWAYS

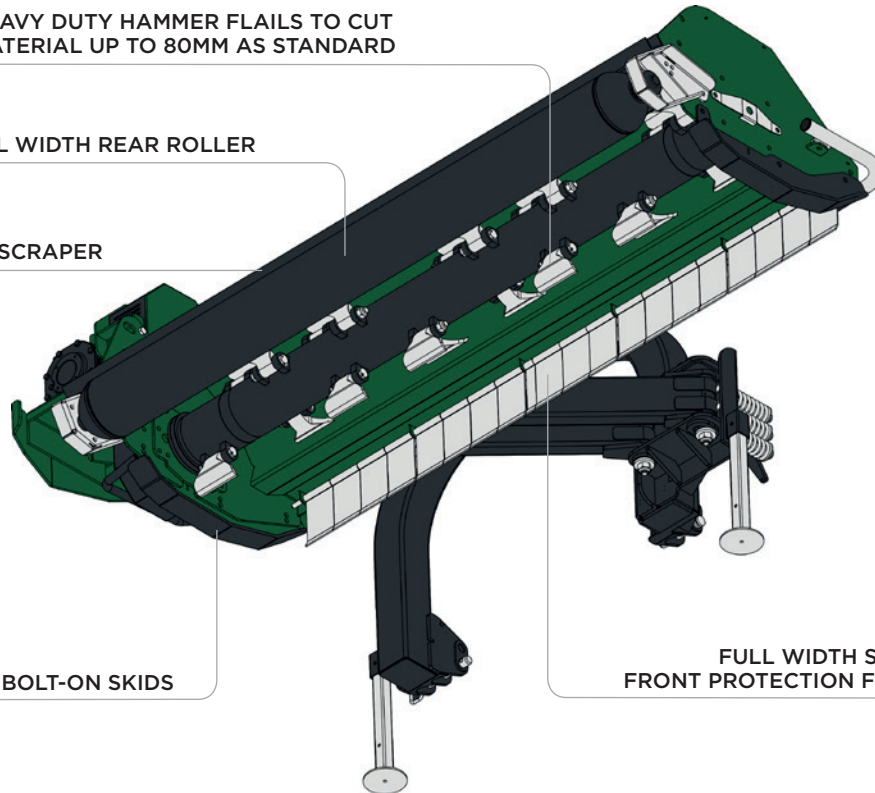
HEAVY DUTY HAMMER FLAILS TO CUT MATERIAL UP TO 80MM AS STANDARD

194MM FULL WIDTH REAR ROLLER

REAR ROLLER SCRAPER

REPLACEABLE BOLT-ON SKIDS

FULL WIDTH STEEL FRONT PROTECTION FLAPS



The Sniper HD Offset flail mower is designed for intense verge and embankment use giving a high quality and consistent cut in material up to 80mm. It is the perfect choice for maintenance of places such as waterways, highways and heavy, overgrown scrub areas.

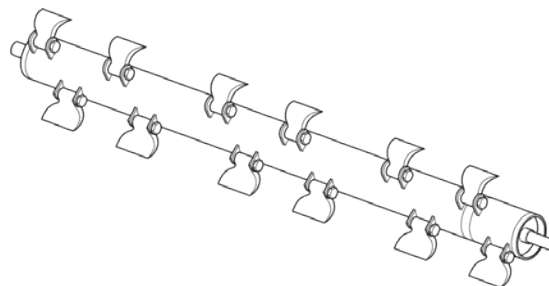
The Sniper HD Offset range is available in various working widths of between 2.3 and 2.5 metres with additional operating flexibility through variable parallel offsetting arms up to a maximum of 1.1m to cater to the working environment. In addition, the machine features variable cowl angling to aid the following of ground contours.

This highly robust machine features heavy duty hammer flails fitted on an electronically balanced rotor mounted on enclosed, self-aligning bearings. Belt drive gives reliable power transmission in challenging conditions and a 194mm full width adjustable, self-cleaning rear roller with scraper flap will ensure a quality cut and well distributed finish.

## CONSTRUCTION



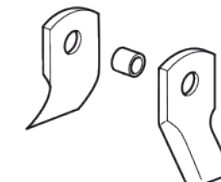
## ROTOR DESIGN



## FLAIL OPTIONS



HAMMER



BACK-TO-BACK (OPTION)

STANDARD SPECIFICATION	SNIPER 230-HD-OS	SNIPER 250-HD-OS
Machine weight	1130kg (2291lbs)	1200kg (2646lbs)
Hitch	Category 2 with floating clevis top link	Category 2 with floating clevis top link
Hitch position	Rear mount only	Rear mount only
Cutting width	2.30m (7' 6")	2.50m (8' 2")
Working width	2.86m (9' 4")	3.16m (10' 5")
Overall length	2.10m (6' 11")	2.16m (7' 1")
Cowl height	540mm (1' 10")	540mm (1' 10")
Transport width	1.61m (5' 4")	1.61m (5' 4")
Transport height	2.97m (9' 9")	3.24m (10' 8")
Cutting height	25mm - 45mm (1" - 1.8")	25mm - 45mm (1" - 1.8")
Cutting capacity	80mm (3.1")	80mm (3.1")
Maximum offset distance	1.09m (3' 7")	1.09m (3' 7")
Wing working angles	90° up/55° down	90° up/55° down
Recommended tractor HP	130hp (97kW)	140hp (104kW)
Power take-off speed	540/1000rpm	540/1000rpm
Gearbox	Cast iron housing	Cast iron housing
Input shaft	1-3/8" Z6	1-3/8" Z6
Gearbox lubricant	EP80-90W or GL-4 / GL-5 oil	EP80-90W or GL-4 / GL-5 oil
Gearbox oil capacity	2.3 litres (4.0 pints)	2.3 litres (4.0 pints)
Cowl construction	All welded construction	All welded construction
Skid construction	Replaceable bolt-on skid	Replaceable bolt-on skid
Flail	Heavy-duty hammer flail	Heavy-duty hammer flail
Flail quantity	20	22
Flail tip speed	50m/s (9842 fpm)	50m/s (9842 fpm)
Rotor diameter	168mm (6.6")	168mm (6.6")
Roller diameter	194mm (7.6")	194mm (7.6")
Number of belts	6	6

# SPEARHEAD

📍 Station Road, Salford Priors, Evesham, Worcestershire, WR11 8SW, England ☎ +44 (0)1789 491860

✉ enquiries@spearheadmachinery.com 📧 spearheadmachinery.com 🐦 f SpearheadWorld

