



**AMAZONE**

Self-propelled mowers ***Profihopper***



# Profihopper self-propelled mowers

The self-propelled professional green space maintenance range



Confirmation on compliance with the thrown object test: Profihopper with SmartCut cutting deck fitted with H77 mowing blades in accordance with DIN EN13524:2014 Annex B and the requirements of ISO 17101-2:2012

- “The AMAZONE 4WDi Profihopper was convincing in the tough KT Practice Test. What the drivers appreciated most, in addition to the thoroughly thought-through concept, was the robustness of the machine.”  
 (Practice test from ‘Kommunaltechnik’ magazine · 07/2013)

Amazone offers extremely reliable, high-performance professional equipment which pack a big punch in the shape of the Profihopper 1250 and 1500 self-propelled mowers. The Profihopper concept promises maximum performance and also stands out with its incredibly compact design, having working widths of 1.25 m and 1.50 m. The Profihopper is versatile and can be used for mowing, scarifying, mulching and collecting dead leaves, horse droppings and other debris.



## When performance counts! Faster, economical, better!

	Page
The advantages at a glance	4
The range	6
Scope of operation	8
PowerCompactor   SmartCut	12
Operation	14
SmartHandling	16
Engine	18
Profihopper 1500	20
Chassis   Blades	22
Feedback from use in practice	24
Optional equipment   Technical data	26

2011: Silver medal for the Profihopper  
4WDi PowerCompactor

2013: Silver medal for the SmartCut  
exact cut rotor

2018: Innovation Award for AMAZONE  
SmartService 4.0

❗ “Augers for conveying the cuttings: unique on the market.”  
 (“profi” – Test report PH 1250 · 09/2020)

# Profihopper 1250

In **1.25 m** working width

With **40 l** fuel tank

With **4WDi**  
(with intelligent  
all-wheel drive)

**1,000 l** collected material,  
corresponding to 730 l of compacted  
material in the collection hopper

With **2.10 m**  
high-lift discharge



## The advantages at a glance:

- ⊕ Out-front cutting deck in 1.25 m/1.50 m working width with integrated PowerCompactor collecting and conveying system, consisting of longitudinal and cross conveyor augers providing the highest work rates
- ⊕ Versatile application over the entire year: Scarifying, mowing, mulching or collecting dead leaves, horse droppings and other debris
- ⊕ Operation in any weather, both in short and long grass – extremely robust and reliable technology
- ⊕ SmartCut exact cut rotor with chevron blade arrangement – for improved cutting and collecting quality and reduced noise emission
- ⊕ Top performance at high working speeds even under difficult conditions
- ⊕ High-lift discharge at 2.10 m/2.50 m – comfortable and quick
- ⊕ State-of-the-art and efficient engine technology, STAGE V emissions compliant
- ⊕ 0-turning circle steering – for more manoeuvrability and safety in any terrain, even on slopes
- ⊕ Blade change without tools – quick, simple and safe!
- ⊕ Large capacity fuel tanks - 40 l or 55 l – for long working days and extended operation

# Profihopper 1500

In **1.50 m** working width

With **55 l**  
fuel tank

**1,600 l** collected material,  
corresponding to 1,100 l of compacted  
material in the collection hopper

With **2.50 m**  
high-lift discharge

With **4WDi**  
(with intelligent  
all-wheel drive)



With a **30% increase in output**  
even under the most difficult of conditions

**STAGE V**  
Stage V exhaust  
emissions compliant



MORE INFORMATION  
[www.amazone.net/profihopper](http://www.amazone.net/profihopper)

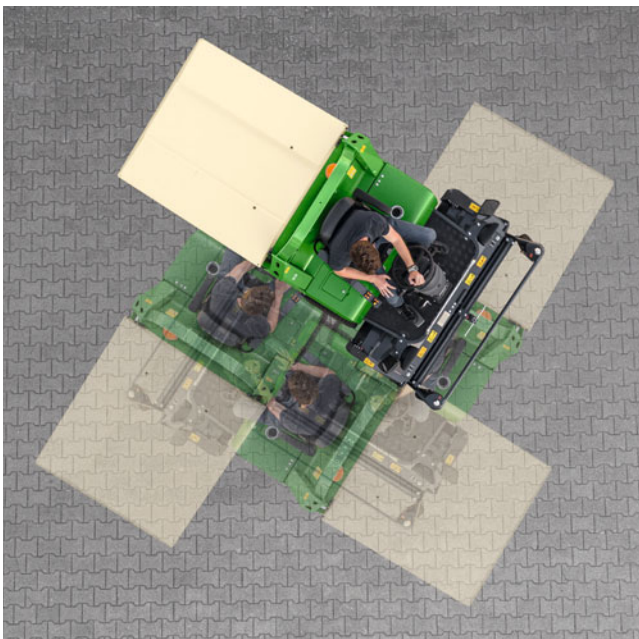
# The models



## Profihopper 1250 4WDi SmartLine

- ✔ 1.25 m working width
- ✔ Hopper capacity 730 l (equals 1,000 l of cuttings)
- ✔ All-wheel drive with 0-turning circle steering
- ✔ Hydrostatic drive with mechanical actuation

## 0-turning circle steering for all Profihoppers



- ✔ Manoeuvrable and safe with the 0-radius turn

- ❗ “The standard-size rear wheels turn by almost 90° with or without all-wheel drive – the machine is therefore easily manoeuvrable and almost turns on the spot.”

(“profi” – Test report PH 1250 · 09/2020)



## Profihopper 1500 SmartLine

- ✔ 1.50 m working width
- ✔ Hopper capacity 1,100 l (equals 1,600 l of cuttings)
- ✔ All-wheel drive with 0-turning circle steering
- ✔ Hydrostatic drive with electronic control

### 4WDi all-wheel drive

Equipped with intelligent 4WDi all-wheel drive, the speeds of the four driven wheels are individually controlled depending on the steering wheel position and the forward speed. The Profihopper switches on the drive to the steered rear wheels only when the front wheels need this assistance. The system functions both when going forwards or backwards.

### Benefits of the 4WDi technology

- ✔ 0-turning circle steering
- ✔ Increased safety at maximum steering lock
- ✔ Also for difficult operating conditions, such as, for instance, in cases of slippage on wet ground or in sloping terrain
- ✔ All-wheel drive only when necessary: reduces the fuel consumption and saves the environment

### Additional advantages of the Profihopper 1500

- ✔ Even more driver comfort with electronic control of the hydrostatic drive

### Safe on any terrain – even under difficult operating conditions

Also, when working under difficult operating conditions – for example, when slipping on wet ground or when working on sloping terrain – the operator especially benefits from the intelligent four-wheel drive. The danger of slippage is minimised because every wheel is driven at all times at the optimum speed. This results in greater safety and improved operational performance, for example, less wheel marks on lawns.



- ✔ The drive of the Profihopper is carried out via one hydraulic motor per wheel.

# The all-season machines

Top performance all year round

## In use across the entire year:

- ✔ Mowing
- ✔ Scarifying
- ✔ Mulching
- ✔ Collection of leaves, horse droppings and other rubbish
- ✔ Rolling

## Flexible and versatile

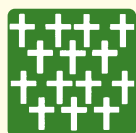
No matter whether short or long grass, damp or dry conditions, with the Profihopper you can be relaxed about any operation and at any time of the year.

- ❗ “The mowing unit and collection hopper, they couldn’t be any better.” All the judges agreed: “The 1.25 m wide flail rotor does a perfect job.”

(Practice test from ‘Kommunaltechnik’ magazine · 07/2013)



Parks



Cemeteries



Golf courses



Lawns in residential areas



Lawns



Sport fields

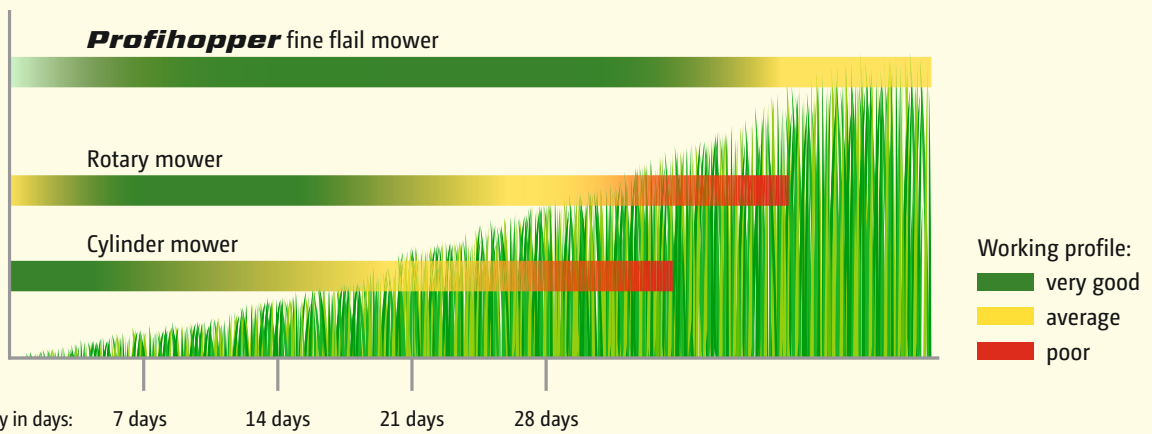


Campsites



Paddocks





Overview of cutting efficiency

### Excellent cutting quality – no matter whether short or long

Compared with either rotary or cylinder mowers, the Profihopper, as a fine flail mower operates reliably, thanks to its design, even at noticeably higher cutting heights. Both in short and long grass, the Profihopper provides a superb cutting performance.

### Mulching – returning important nutrients

Through the special mounting of the knives on the big diameter rotor, the grass-stalks are cut off and then shredded many times. For mulching, the mulch flap is just inserted into the Profihopper and the cuttings are spread evenly across the mown area. Important nutrients are consequently then fed back into the soil.

### Mowing – no matter whether damp or dry

The Profihopper does a superb job in nearly all climatic or vegetative conditions. Its well-proven AMAZONE mowing and scarifying system is the guarantor for well-groomed lawns. Whether the sun is shining or the early morning dew is still on the grass – work can begin. The Profihopper is not bothered whether the grass is wet, exceptionally tall or even thick – and it always achieves first class results.

### Scarifying – improving the soil structure

The AMAZONE Profihopper is also a superb scarifier. The scarifying knives, which are quickly attached without tools, slit the turf and thin out the lawn’s surface. Thatch is removed, collected and at the same time the soil is rolled. And so, due to the scarifying, the improved light, air, water and nutrient exchange results in a significant improvement in the soil structure.



# One machine for all applications!



Thanks to the powerful suction effect, the Profihoppers are perfect for collecting and shredding dead leaves in autumn or spring.

❶ “The collection and the transfer of cuttings or leaves performs very well, even in wet conditions.”  
(Practice test from ‘Kommunaltechnik’ magazine · 07/2013)

❷ “Most drivers liked the seating position.”  
(Practice test from ‘Kommunaltechnik’ magazine · 07/2013)

# Designed for efficiency!



Profihopper 1500 SmartLine

## Collecting leaves

The powerful suction effect picks up almost “everything” (leaves, chestnuts, acorns, etc.). This ensures optimum utilisation of the hopper capacity. In addition, the chopping up of the leaves by the rotating blades speeds up their decomposition. Often in the spring, autumn leaves remain

covering the ground and the grass can only grow with difficulty. To improve and aid that grass growth, those leaves can be collected and the lawn aerated in a single pass by simply adding the scarifying blades.

## Rubbish collection – cleaning up

The auger system is not sensitive to foreign objects, so the collection of tins, paper and other rubbish lying around in parks and leisure areas, is no problem for the Profihopper.

## Paddock maintenance – your horses will thank you

Healthy animals thanks to clean paddocks. The Profihopper mows patches of rank grass and any horse droppings are reliably collected.



In practise, the two Profihoppers are highly appreciated by livery owners. The excellent and reliable mowing and scarifying system also leaves a lasting impression in the paddock, producing outstanding results.

# PowerCompactor

Honed for efficiency



## PowerCompactor with SmartCut

Immediately after collection, the cuttings are compressed via the PowerCompactor's auger conveyor system and collected in the hopper.

### Profihopper 1250

- 1.25 m working width
- 72 (36 pairs) of sharpened wing blades arranged in 4 rows
- Rotor speed 3,400 rpm

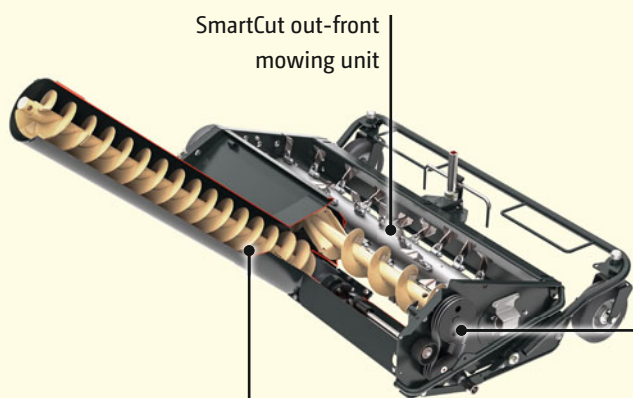
- ✔ The hopper capacity is almost 50 % higher than in a conventional mower thanks to the extreme compaction of the PowerCompactor.

### The benefits

- ✔ High conveying capacity provides maximum mowing efficiency
- ✔ Extreme compaction of the hopper contents by approximately 50%; meaning the equivalent of 1,000/1,600 litres of cuttings
- ✔ Optimised fuel consumption by the perfect teamwork of engine output and forward speed

### Profihopper 1500

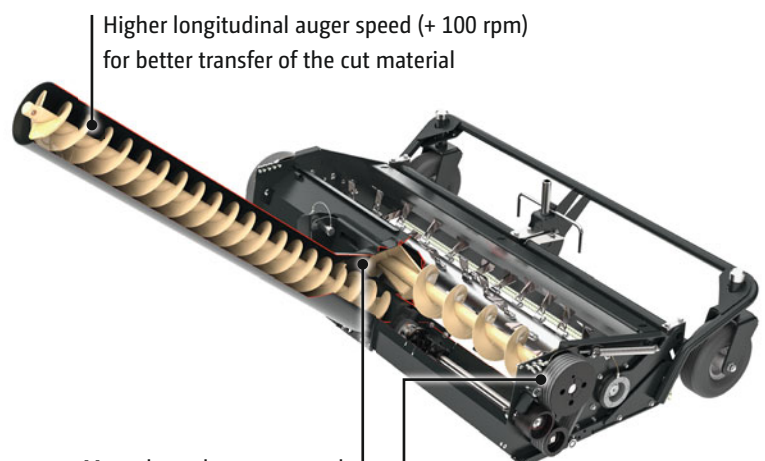
- 1.50 m working width
- 88 (44 pairs) of sharpened wing blades arranged in 4 rows
- Rotor speed 3,400 rpm
- 15 to 20% less power consumption with the new generation, thanks to the new streamlined flow into the longitudinal auger
- New reinforced, longitudinal auger drive with five, rather than three belts, for more power with less slip, suitable for the wider working width



SmartCut out-front mowing unit

Integrated PowerCompactor collection and conveying system via the longitudinal and cross augers

A mechanical overload safety device and electronic monitoring helps prevent damage



Higher longitudinal auger speed (+ 100 rpm) for better transfer of the cut material

More throughput as a result of the optimised flow:

- Reduction in power consumption of 15 to 20%
- Easier to unblock

Reinforced longitudinal auger drive with five belts

- More transferable power
- Less belt slip

# SmartCut

More output – more efficiency



❗ “The mowing unit cuts perfectly and, even under wet conditions, the cuttings are reliably delivered via the conveyor augers into the large collecting hopper.”  
(Practice test from ‘Kommunaltechnik’ magazine · 07/2013)

## PowerCompactor: extended, reliable operation without emptying!

With the PowerCompactor, the Profihopper enters a new class in efficiency. The PowerCompactor features a conveying system consisting of longitudinal and cross conveyor augers, giving the Profihopper, in comparison with other mowers, a higher collection capacity and thus quicker forward speeds, even in tall grass.

Immediately after being picked up, the cuttings are compacted by the auger system and collected in the hopper. Thanks to this compression, 1,000 l/1,600 l of uncompressed cuttings can be collected in the 730 l/1,100 l collection hopper. This principle increases the hopper capacity by almost 50%. Time lost by emptying the hopper is immediately reduced by 50% and the efficiency of both the machine and the operator is increased at the same.

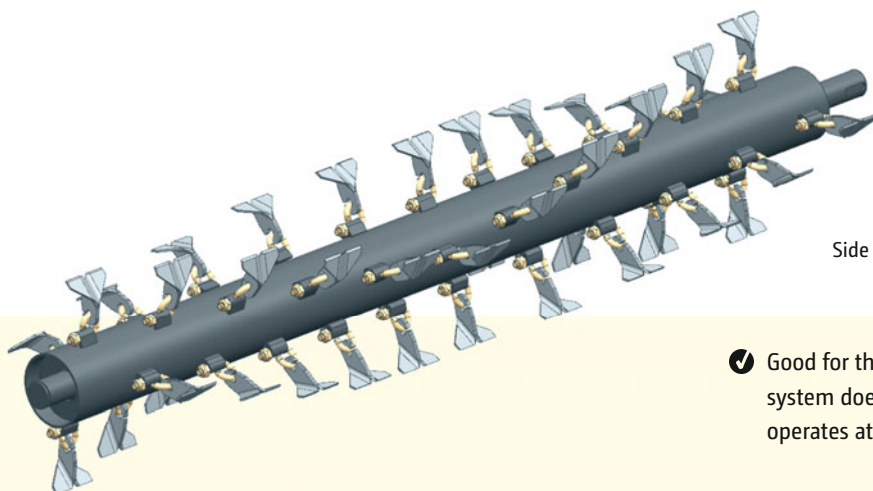
## Quiet and reliable! AMAZONE SmartCut exact cut rotor

The outstanding feature of the rotor is the specific chevron mounting arrangement of the blades resulting in an improved performance both when cutting and collecting; and at a reduced noise level. For this innovation, AMAZONE was awarded a Silver Medal by the Innovations Jury at Demopark 2013.

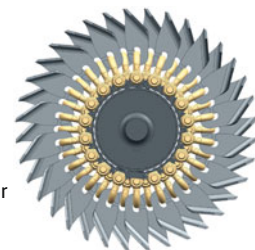
## Benefits of the SmartCut exact cutting rotor

- ✔ Precise and clean cutting in one pass
- ✔ Improved collection quality
- ✔ Reduced noise emission
- ✔ Simple and quick blade exchange

✔ AMAZONE SmartCut exact cut rotor



Side view of the rotor



✔ Good for the operator and the environment: The delivery system does not require any air assistance and in this way operates at low noise levels and operates virtually dust-free.

# Profihopper 1250

Handling made easy



❗ “Like its operation, the workplace on the Profihopper is simple.”  
 (“profi” – Test report PH 1250 · 09/2020)

## Simple operation

Operating the Profihopper 1250 is user-friendly and simple. The Profihopper is simple to operate with readouts clearly displayed on the central dashboard and by using the control levers on the right-hand side.

✔ Everything is convenient and simple to use

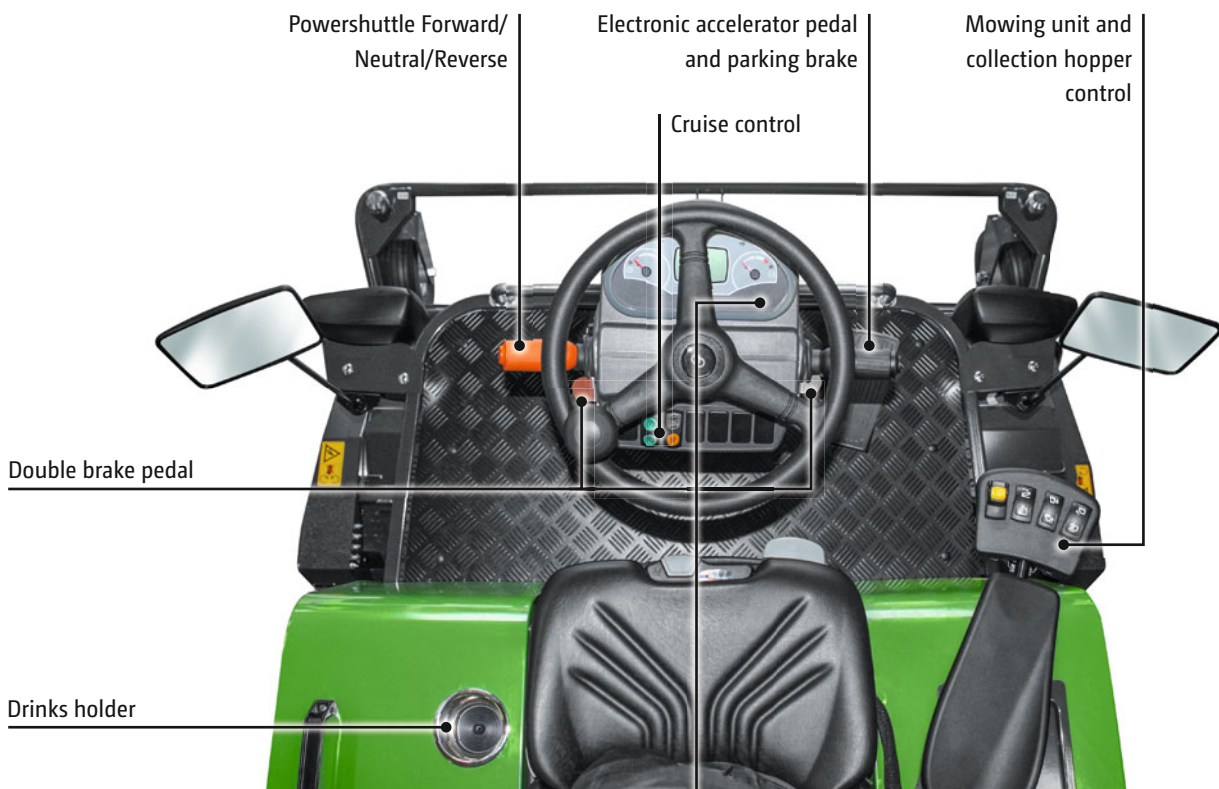
## Advantages of the Profihopper 1250

- ✔ High seating position with 360° all-round visibility
- ✔ Easy, user-friendly adjustment via control levers
- ✔ Adjustable steering column
- ✔ Easy access on and off

- ✔ Lockable storage compartments
- ✔ Drinks holder

# Profihopper 1500

Maximum ease of operation – Comfort is trumps



## Handling at its best

To make work as comfortable as possible, AMAZONE sets high standards with regard to operator environment. Therefore the complete handling is simply and very ergonomically tailored to the driver and thus aims to be a relaxed environment. In addition, the high seating position ensures perfect all-round visibility despite the very large hopper capacity.

### ✔ Practical info display

The Info-Display shows all the important job information during work, such as mowing times, area covered and detailed engine parameters, in order to maximise the use the machine.

### ✔ With comprehensive job documentation

The completed tasks are documented and are available for performance monitoring or utilisation analysis after the job has been completed.

## Extra advantages of the Profihopper 1500

- ✔ Relaxed working with constant speed at the touch of a button via the cruise control
- ✔ Comfortable operation via the extremely ergonomic armrest
- ✔ Simple, quick change of direction via the Powershuttle
- ✔ Practical Info-Display with digital readout of all the important job information

# SmartHandling

Comfort comes up trumps



❗ “The high-lift emptying of the collecting hopper was also praised.”  
(Practice test from ‘Kommunaltechnik’ magazine · 07/2013)

The high-lift emptying on the Profihopper 1250 SmartLine enables emptying at a height of 2.10 m





- ✔ The high-lift emptying of the Profihopper 1500 SmartLine enables easy unloading at up to 2.50 m.

### The high-lift discharge – safe, comfortable and high

Safe emptying is possible at a height of 2.10 m or 2.50 m thanks to high-lift emptying. The tip point of the hopper has been positioned far to the rear so that even high-sided containers can be filled as completely as possible.

### Easily accessed

To keep maintenance and servicing as low and as comfortable as possible, easy access has been taken into consideration for the Profihopper. Thanks to the large maintenance flaps, all the necessary components are directly accessed for maintenance and servicing.



- ✔ The easy access makes any maintenance work very comfortable. Thanks to the maintenance flaps, all important components are accessed quickly and easily.



- ✔ The simple, infinitely variable cutting height adjustment ensures optimum work results at cutting heights from 0 - 90 mm.

### Central and easy cutting height adjustment

The cutting height adjustment is done very comfortably and quickly. The height of cut can be adjusted from 0 – 90 mm via the adjustment handle located on the mowing deck. Here, the total mowing deck is swivelled so that no parts are positioned deeper to impact the quality of work.

### Folding roll bar complying with EN ISO 5395

The folding roll bar, via which the transport height can be reduced very easily and quickly, is also very useful.



# High performance

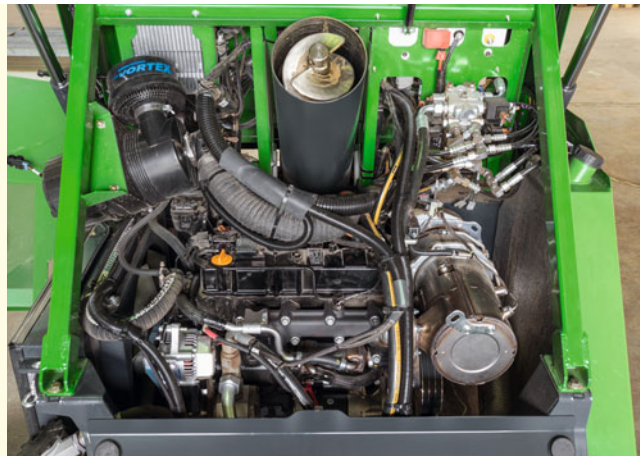
The efficient and clever drive system



❗ “Even on heavily sloping ground the Profihopper 4WDi steers straight ahead surprisingly well.”  
(Practice test from ‘Kommunaltechnik’ magazine · 07/2013)

# STAGE V

## Stage V exhaust emissions compliant



✔ Powerful but compact!

### State-of-the-art engine technology – the standard of the future, right now

The use of quality components such as the powerful diesel engines are a feature of these professional machines. Thanks to the modern exhaust gas after-treatment with

recirculation and particle filter, no DEF (Diesel Exhaust Fluid) is required.

### Large fuel tanks – for those long, long days

Large fuel tanks with a capacity of 40 and 55 l guarantee uninterrupted operation, even during long working days and high usage.

### AMAZONE Cooling-System – the clever cooling system

The AMAZONE Profihopper is fitted as standard with a self-cleaning cooling system (AMAZONE Cooling-System), that removes the contamination from the radiator grill of any plant residues that collect there, this is especially important when mulching.



❗ “The engine, well encapsulated against dirt, is located underneath a rubber flap which can be folded upwards.”

(Practice test from ‘Kommunaltechnik’ magazine · 07/2013)



✔ Self-cleaning cooling air system

# The high class, high performance, self-propelled mower

Profihopper 1500 with automated engine management



# With work rates of up to 15,000 m<sup>2</sup>/hour



- ✓ The Profihopper 1500 also makes rapid progress on the road with a transport speed of 20 km/h

## Economic power pack – with automatic engine management

Maximum power is always available at any time thanks to the automated engine management system of the Profihopper 1500. However, the engine works efficiently and economically when maximum power is not needed.

A distinction is made between transport and working modes, and the new ECO mode, in order to make use optimum use of the power of the Profihopper 1500.

### The benefits

- ✓ Optimisation of the fuel consumption by matching the power utilisation
- ✓ 30 % higher performance in tall grass (compared to the Profihopper 1250)

## Cab as special equipment for the Profihopper 1500 4WDi SmartLine

The new optional cab for the Profihopper 1500 has wind protection and a rear window, external mirrors, doors, heating and air conditioning.

Additional equipment, such as road lights, flashing beacon, radio, prestige seating and extra LED working lighting, make the Profihopper 1500 ideally prepared for intensive use.

### The benefits:

- ✓ Cab noise level of max. 85 dBA
- ✓ Mesh guard in front of air inlet filter
- ✓ Profihopper 1500 approved for road use with and without cab as well as a max. trailer loading of 500 kg

## Maximum forward speed in transport mode

The engine revs are determined exclusively by the forward speed in transport mode. Maximum forward speed is 20 km/h.

## New ECO mode

In the ECO mode, the rotor is driven at a reduced speed of 2500 rpm, and the speed of the diesel engine is just 2000 rpm. This saves fuel and reduces the noise level by up to 4.5 dB. The new ECO mode is ideal for collecting foliage and for mowing in easy conditions.

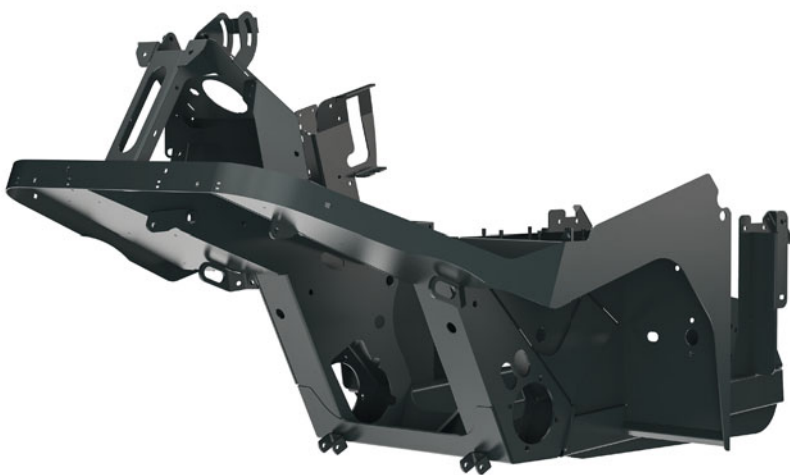
## Increased performance in work mode

The engine revs are increased up to 2,800 rpm and the forward speed is limited to 11 km/h in work mode. The perfect interaction of drive and engine power allows maximum work rates of up to 15,000 m<sup>2</sup> per hour thanks to the working width of 1.50 m.



# Maximum robustness

Make your decision in favour of a Profihopper and be relaxed when facing the next task



✔ The sturdy chassis and the robust design of all mechanical and hydraulic components ensure superb reliability of the Profihopper.

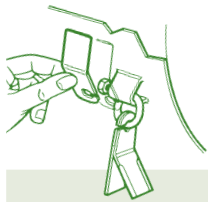


✔ The collection and conveying system is generously dimensioned. The reinforced conveyor auger works reliably and is also characterised by its long service life.

# Blade change – simple and quick!

## Different blades are available for individual applications

The high wear-resistant qualities of the blades result in little wear. In addition, the blade system is resistant to foreign obstacles because each blade is independently suspended.



Blade exchange without tools	H77 long sharpened wing blade (standard)	H88 extra-long sharpened wing blade	Scarifying blade 3 mm	Scarifying blade 2 mm	H77 long sharpened wing blade with scarifying blade	H60 sharpened wing blade with scarifying blade
Lawn maintenance	● ● ●					
Golf course maintenance	● ● ●					
Maintenance of parks	● ● ●					
Maintenance of public green spaces	● ● ●					
Mowing and collecting in damp conditions	● ● ●	● ● ●				
Leaf collection	● ● ●				● ● ●	● ● ●
Scarifying			● ● ●			● ● ●
Scarifying golf courses/large grass areas				● ● ●		● ● ●
Dethatching lawns (e.g. supplementary to a cylinder mower)						● ● ●
Paddock maintenance					● ● ●	
Number of blades required Profihopper 1250	36 pairs	36 pairs	36 knives	36 knives	36 pairs + 36 knives	36 pairs + 36 knives
Number of blades required Profihopper 1500	44 pairs	–	44 knives	44 knives	44 pairs + 44 knives	44 pairs + 44 knives

● ● ● very good result

# Judgement in practice

How the Profihopper is rated in use



Arnaud Paillard with his Profihopper 1500 4WDi SmartLine

## Arnaud Paillard “Parcs et Jardins Paillard”: a loyal Profihopper user

Arnaud Paillard, Managing Director of “Parcs et Jardins Paillard” in Pugey near Besançon (25), France, is an enthusiastic Profihopper user. M. Paillard became aware of the AMAZONE Profihopper at the Paysalia trade fair in Lyon, France.

M Paillard: “I have been using a Profihopper since the start of 2000, so I was working with the first versions, when it was still called the LGA, and which was steered with two levers. I decided upon the Profihopper because of its collection system and its versatility. Collecting is still the best, and no noise” M Paillard continues: “In the course of my activities, I use it for mowing, collecting, leaf collection

and for shredding. The Profihopper is quick, quiet and very compact. In addition, you have a good all-round view, which makes manoeuvring much easier”.

M Paillard is, and remains, a loyal customer because “AMAZONE is always prepared to listen to professionals and they take account of our requirements in their conception and development of a machine, and that’s why I am a fan of the brand”.

M Paillard currently operates a Profihopper SmartLine 1500 which he obtained in February 2020.





Michael Hauner (left) and Thomas Schehl from Umwelt- und Servicebetrieb Zweibrücken

## Landscape gardeners with a clear recommendation for the Profihopper 1500

Michael Hauner and Thomas Schehl are landscape gardeners at UBZ. They have been familiar with the mounted Groundkeeper mowers as well as the Profihopper 1250 self-propelled mower/collector for many years. At that time, the Profihopper still did not have a cab, and so they were very happy to have been selected, in November 2020, as a test customer for the prototype phase of the Profihopper 1500.

They find the new cab, with its easily-adjusted air conditioning, to be a most useful asset. “The cab demists in 3 minutes”. Michael Hauner considers seating comfort to be very important because of disc problems in his back. He enjoys driving the Profihopper, with its air-suspension seating, whether it be on the road or on rough terrain.

The Profihopper replaced a large number of other units at UBZ because of its ability to be used on large areas (stadiums and parks) and on the smallest of applications (wild meadows and flower meadows). They also use the Profihopper on street verges, school playing fields, playgrounds, water-side tracks and asphalted areas. “We can collect everything or, if needs be, mulch it as well. We have also collected lots and lots of leaves”.

Michael Hauner and Thomas Schehl list the enormous output and manoeuvrability of the machine as the particular benefits. They also praise the changing of the blades as being very easy, together with cleaning and maintenance. The cutting height adjustment is very simple and is easily accessible. The generously dimensioned diesel tank generally lasts for approximately 1.5 days, on average.

Even when covering 4 km of street verges, the Profihopper saves lots of extra work. “We can mow close to the trees, and we rarely need to do any work afterwards or mow by hand.” For this reason, Michael Hauner and Thomas Schehl, after a brief discussion, gave the Profihopper definite 10 on a scale of 1 to 10.

In the period from June to December 2021, they managed around 750 hopper loads with the Profihopper, virtually without any interruptions.



Profihopper 1500 4WDi SmartLine with the new cab

# For any demand, the right solution



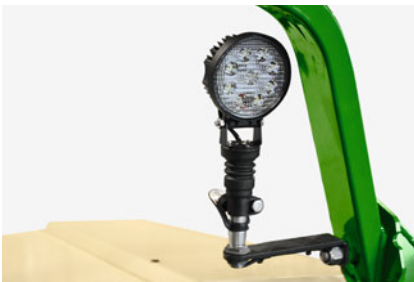
- ✔ LED rotating beacon forms part of the lighting kit



- ✔ Front lights form part of the lighting kit



- ✔ LED rear lights form part of the lighting kit



- ✔ LED work lights



- ✔ Extra wide tyres are available on request<sup>1</sup>



- ✔ The weatherproof canopy offers protection from rain and sun<sup>1</sup>



- ✔ A choice of 3 different seats means the right solution for every requirement! Grammer "De Luxe" seat with air cushioning and heating – the ultimate!



- ✔ The hitch coupling is extremely practical and useful<sup>2</sup>



- ✔ The run-flat tyres provide more safety when working<sup>2</sup>

<sup>1</sup> Only available as optional equipment for the Profihopper 1250 SmartLine.

<sup>2</sup> Only available as optional equipment for the Profihopper 1500 SmartLine.



# Technical data:

## Profihopper SmartLine self-propelled mower

Model	Profihopper 1250 4WDi SmartLine	Profihopper 1500 4WDi SmartLine	Profihopper 1500 4WDi SmartLine with cab
Drive system	Hydrostatic, all-wheel drive, 4 hydraulic motors and 2 hydraulic pumps	Hydrostatic, all-wheel drive with double piston pump with electronic control	
Weight with mowing deck	1,175 kg	1,770 kg	2,100 kg
Total permissible weight	1,600 kg	2,600 kg	
Engine	Kohler diesel, water cooled, 3 cylinder, 1,068 cm <sup>3</sup> , 18 kW (24.5 hp), Stage V compliant	Yanmar 4TNV 88 diesel, water cooled, 4 cylinder, 2,190 cm <sup>3</sup> , 34 kW (45.6 hp), Stage V compliant	
Fuel tank capacity	40 l of diesel	55 l of diesel	
Forward speed	Forwards: 0 to 12 km/h, infinitely variable Reverse: 0 to 6 km/h, infinitely variable	Forwards: 0 to 20 km/h, infinitely variable Reverse: 0 to 8 km/h, infinitely variable	
Cutting speed	0 to 10 km/h, infinitely variable	0 to 11 km/h, infinitely variable	
Working width	1.25 m	1.50 m	
Mowing deck	SmartCut rotor with 72 blades (36 pairs)	SmartCut rotor with 88 blades (44 pairs)	
Cutting height adjustment	Infinitely variable from 0 – 90 mm		
Dimensions with mowing deck	Length: 2,785 m · Width: 1.482 m Height: 1.994 m	Length: 3,415 m · Width: 1.773 m Height: 2.186 m	Length: 3,415 m · Width: 1.773 m Height: 2.467 m
Hopper capacity	1,000 l collected material (= 730 l compacted in the hopper)	1,600 l collected material (= 1,100 l compacted in the hopper)	
High-lift discharge	2.10 m	2.50 m	
Tyres	Front: 20 x 10.00-10 6PR or 21 x 11.00-10 4PR or 20 x 12.00-10 4PR Rear: 16 x 6.50-8 4PR KEVLAR	Front: 24 x 12.00-12 8PR Rear: 20 x 10.00-10 6PR	



# AMAZONE



Illustrations, content and technical data are not binding and may differ depending on the level of equipment. Country-specific road traffic regulations apply and must be complied with, meaning that special approval may be required.



**AMAZONE S.A. Forbach**

B.P. 90106 · 17, rue de la Verrerie · F-57602 Forbach Cedex  
Phone +33 (0)3 87 84 65 70 · Fax +33 (0)3 87 84 65 71  
[www.amazone.fr](http://www.amazone.fr) · [forbach@amazone.fr](mailto:forbach@amazone.fr)